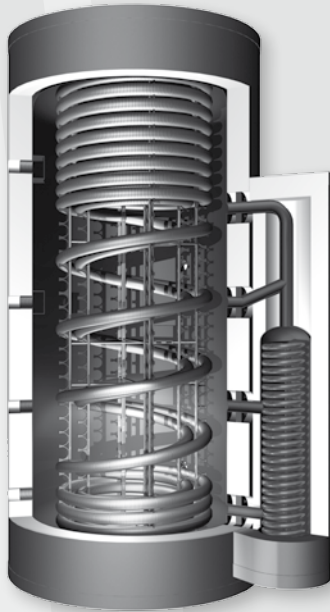


PRO-CLEAN® 2 CORRUGATED PIPE STRATIFIED TANK

PRODUCT DESCRIPTION



PC 2WR – Pro-Clean 2 corrugated pipe with spherical exchanger connection

High-quality, multifunctional stratified tank made of steel (S 235 JR) for hot-water operation and domestic hot water preparation with a solar system. Stratified solar charging is via an external spherical exchanger. The tank has two integrated corrugated stainless steel pipes in which the water is heated using the hygienic continuous heating process. All necessary connections are at hand; includes 2x 2" sleeves for electric screw-in heating elements. The tank stands on a stand ring. The spherical exchanger and the polyester fibre fleece insulation must be ordered separately (compare Accessories).

Area of use

Water heating and heating operation with a solar system for projects with increased hot water requirement.

Product benefits

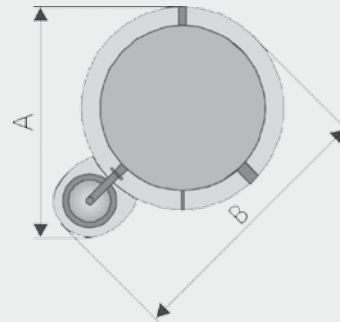
- Efficient use of solar energy using a natural principle for hot water and heating
- Simple functional concept without complicated technology or supplementary electrical energy (gravity circulation principle)
- Backup heating from all common systems possible
- Inflow absorbers prevent the layers in the tank from mixing – especially during heat pump operation
- Hygienic water heating due to two special corrugated stainless steel pipes¹ (DN 40, 1.4404)
- 5 temperature measuring points (sensor pockets) for each of three temperature sensors on the tank
- Access flange DN 200 from 1500 litres
- Prepared for use with 2 electric screw-in heating elements (photovoltaic feed-in)

Standards, guidelines and regulations

- "Pressure Equipment Directive" 97/23/EC
- "Directive on the quality of water intended for human consumption" 98/83/EC
- Sized according to guideline AD-2000
- Welding as per EN 287-1 and EN ISO 3834-2

SPECIFICATIONS

Max. operating temperature:	110°C
Max. tank operating pressure:	3 bar
Max. stainless steel pipe operating pressure:	6 bar
Boiler/heating connections	Rp 6/4" (partially with inflow absorber)
Domestic hot water connections	Rp 1"
Cylinder feed and drain cock connections	Rp ½"
Thermometer connection	Rp ½"



Specifications

Type	PC 2WR 1250	PC 2WR1500	PC 2WR 2000	PC 2WR 2500	PC 2WR 3000	PC 2WR 4000	PC 2WR 5000
Item no.	1610932	1610933	1610934	1610935	1610936	1610937	1610938
Nominal volume [l]	1246	1496	1889	2430	2910	3920	4950
Height without insulation [mm] ²	2200	2190	2280	2170	2660	2290	2800
Height with insulation [mm] ²	2300	2290	2380	2270	2760	2390	2900
Diameter without insulation [mm] ²	900	1000	1100	1300	1250	1600	1600
Diameter with insulation [mm] ²	1100	1200	1300	1500	1470	1820	1820
Width A with insulation [mm] ²	1100	1200	1300	1500	1470	1820	1820
Width B with insulation [mm] ²	1235	1320	1400	1600	1530	1830	1830
Tilt height [mm] ²	2270	2280	2380	2350	2780	2520	3020
Weight [kg]	290	330	380	535	500	690	780

¹ For problem free maintenance of the corrugated stainless steel pipe (e.g. decalcification), when installing the tank, TISUN recommends installation of flush connections with isolation valves at the hot water connections of the tank. Also, to protect the corrugated stainless steel pipe from excessive calcification, we recommend measures to stabilise or soften the water at tank temperatures of over 60 °C and water hardness of over 2.5 millimoles calcium carbonate per litre (= 14 °dH) (compare DIN 1988-200).

² All size specifications have a tolerance range of +/- 3%