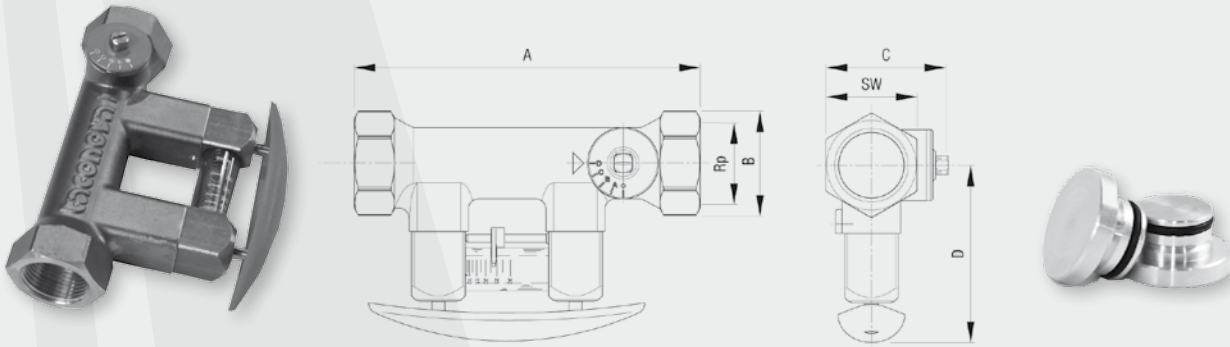


SOLAR ACCESSORIES

LINE CONTROL VALVE



High-temperature bypass Taco setter allows simple and direct regulation, display and shutting off the flow in collector arrays of different sizes (sealing plug is included in scope of delivery).

Benefits

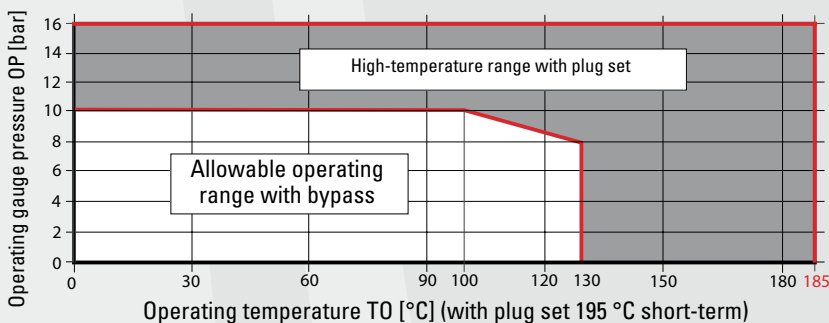
- Accurate and fast regulation without the aid of diagrams, tables or measuring instruments
- Specified volumetric flow can be read directly in l/min.
- Flow control using set-point slide
- Regulator valve with adjusting scale
- Regulator valve lockable (residual leakage possible)
- Any installation position
- Low pressure loss
- Bypass replacement at full plant pressure
- Maintenance free

Table of dimensions

DN	A	B	C	D	Spanner size	Rp
20	129	39	46	79	34	¾"
20	129	39	46	79	34	¾"
25	152	47	58	82	41	1"
32	161	56	65	84	49	1¼"

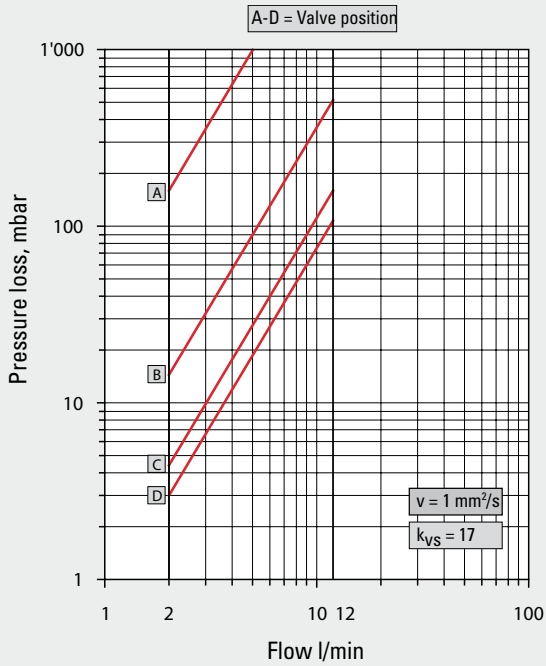
Specifications

Type	TCS 2-12l	TCS 8-30l	TCS 10-40l	TCS 20-70l	REG 20 2-12l	REG 25 10-40l
Item no.	1510296	1510297	1510298	1510299	1520016	1520018
Thread connection	¾" female thread	¾" female thread	1" female thread	1 ¼" female thread	–	–
Spiral piping connection	–	–	–	–	DN 20	DN 25
Measuring range	2-12 l/min.	8-30 l/min.	10-40 l/min.	20-70 l/min.	2-12 l/min.	10-40 l/min.
kvs (m³/h)	2.20	5.00	8.10	17.00	2.20	8.10
Temperature	185°C (transient 195°C) with sealing plug					
Operating pressure	PB 16 bar with sealing plug					
Measuring accuracy	+/-10% of displayed value					
Housing	Brass					
Interior parts	Stainless steel, brass, plastic					
Viewing glass	Heat- and impact-resistant plastic (borosilicate)					
Seals	EPDM					
Female	Rp (cylindrical) according to DIN 2999/ISO 7					
Insulation (accessory – order separately)	EPP					

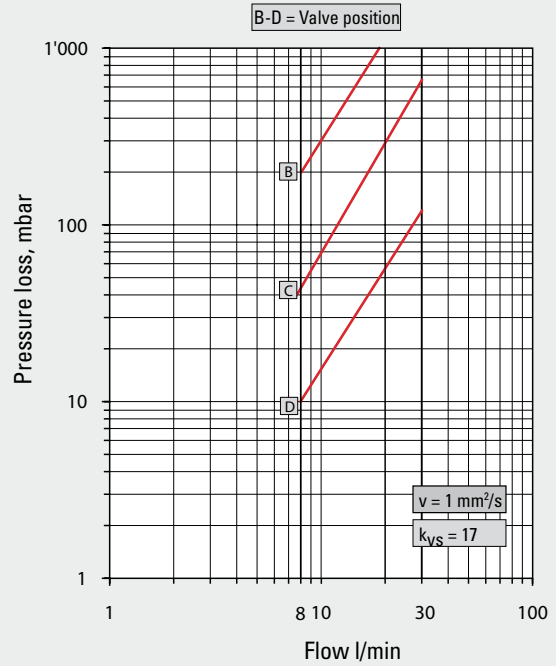


LINE CONTROL VALVE

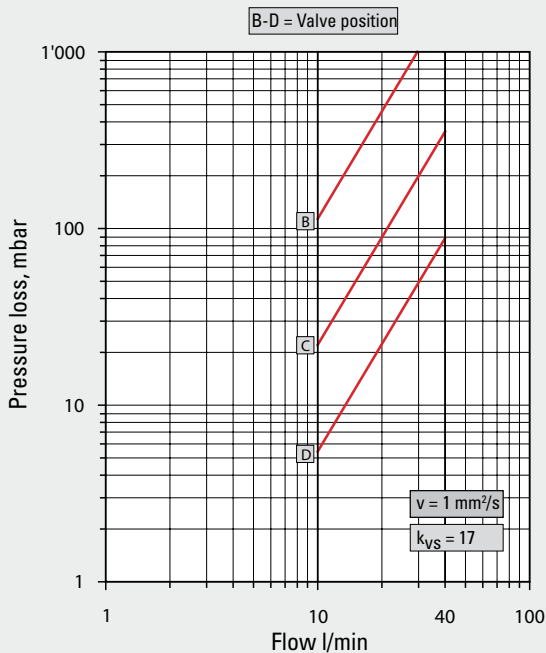
Type	TCS 2-12I
Item no.	1510296
Rp	3/4"
Flow	2 – 12 l/min



Type	TCS 8-30I
Item no.	1510297
Rp	3/4"
Flow	8 – 30 l/min



Type	TCS 10-40I
Item no.	1510298
Rp	1"
Flow	10 – 40 l/min



Type	TCS 20-70I
Item no.	1510299
Rp	1 1/4"
Flow	20 – 70 l/min

