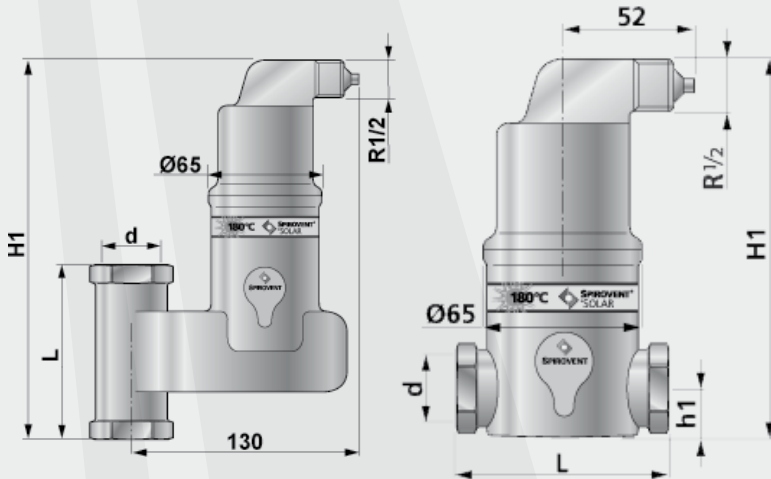


SOLAR ACCESSORIES

MICROBUBBLE DEAERATOR WITH AUTOCLOSE



Product description

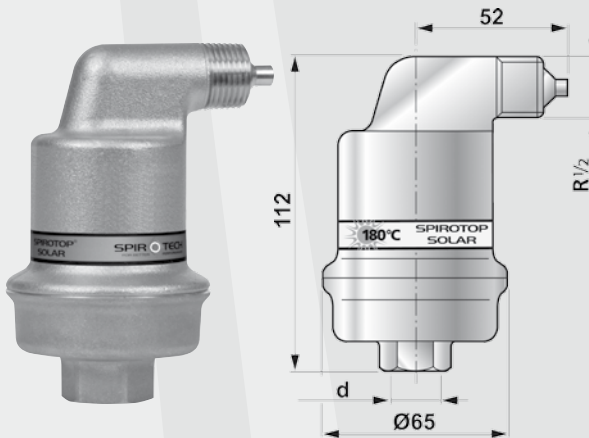
The microbubble deaerator with autoclose has been developed for (fully) automatic removal of microbubbles from water/glycol mixtures (max. 40% glycol). This system closes automatically above temperatures of 90 °C. Installation should preferably be close to the highest and warmest point between the collector and the tank.

Specifications

Type	KE-HA	KE-HA-V
Item no.	1510755	1510756
Material	Brass	
Connection	DN 20 (Clamping ring threaded connection for Cu 22)	
Place of installation, position	Near the collector, horizontal	Near the collector, vertical
Operating pressure	10 bar	
Temperature	180°C	
Dimensions	H1 = 153 mm, h1 = 20 mm, L = 106 mm	H1 = 220 mm, L = 104 mm
Content	0.18 l	0.32 l
Weight	1.2 kg	2.0 kg

Caution: The screw cap is used to pressure test the system, thread seal on site, remove screw cap again after pressure testing!

VENT WITH AUTOCLOSE



Product description

Automatic air separator with Autoclose system. This system closes automatically above temperatures of 90 °C. Installation should preferably be close to the highest and warmest point between the collector and the tank. The air separator is suitable:

- For filling and venting the system
- For venting the highest point in the pipework and keeping it vented
- For preventing trapped air

Specifications

Type	EA
Item no.	1510417
Installation location	Near the collector
Material	Brass
Connection (dim. d)	1/2" female thread
Max. operating pressure	10 bar
Max. temperature	180°C
Float material	PP
Weight	0.7 kg