

SOLAR ACCESSORIES

3-WAY DIVERTER VALVE FOR HEATING AND SOLAR



Product description

This three way diverter valve with 230 V electromotor drive is used in closed solar and heating circuits for hydraulic switching or locking. Always install it with the motor block on top. By turning the motor housing, the flow path can be modified in an idle state.

Technical Description

Type		3WW 34	3WW 1	3WW 54
Item no.		1510241	1510242	1510243
Position		When idle, the AB-A path is open If voltage is present, the AB-B path is open		
Electrical wiring	Terminal 1/black	Actuating phase: Valve is actuated if voltage is present		
	Terminal 2/blue	Neutral conductor		
	Terminal 3/brown	Continuous phase: required for turning back if voltage drops on Terminal 1 and for signal output to Terminal 4		
	Terminal 4/red	Limit switch output: when the valve has reached the limit position, voltage is output here		

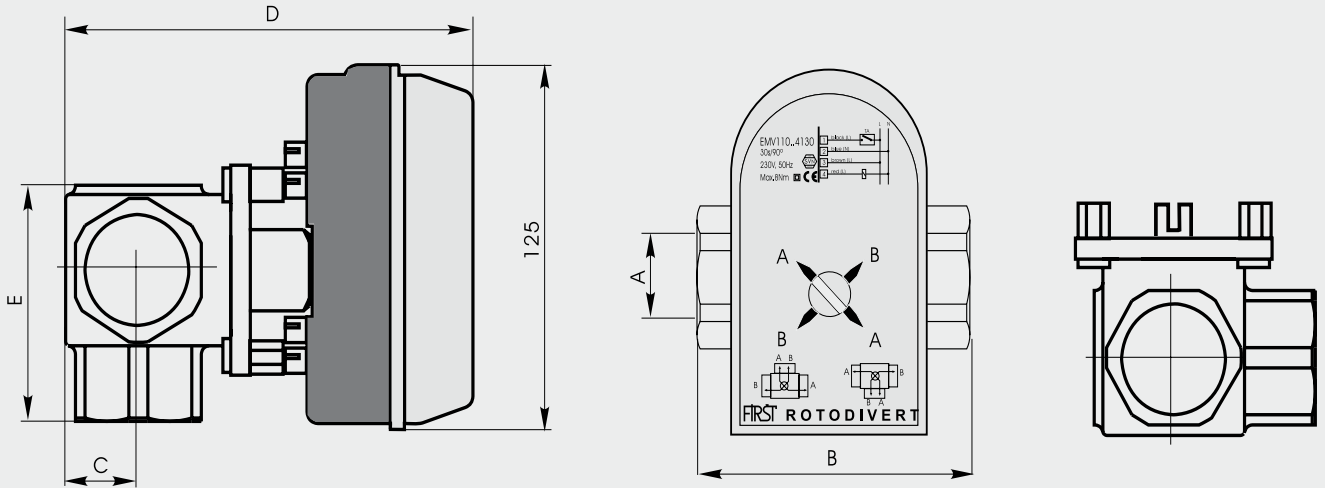
Specifications for drive

Type	3WW 34	3WW 1	3WW 54
Connected voltage		230 V, 50 Hz	
Limit switch		5(1) A, 250 V, 50 Hz	
Power consumption		7,5 VA during operation 3 VA when idle	
Electrical protection		Class II in accordance with EN60355-1	
Drive protection class		P 44 in accordance with IEC 529	
Time per rotation		18s/90°	
Output decrease torque		Max. 8 Nm	
Ambient temperature		from 0 to 60	
Connecting cable		4 x 0.5 mm ² , l=2m	

Specifications for valve

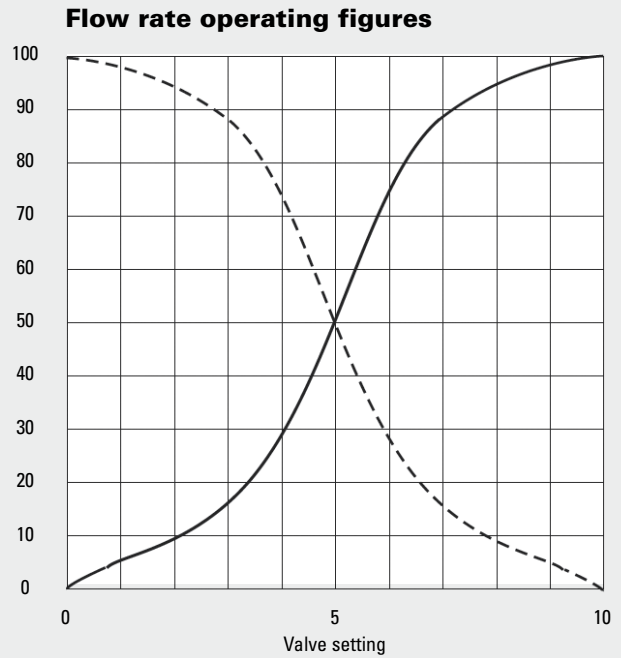
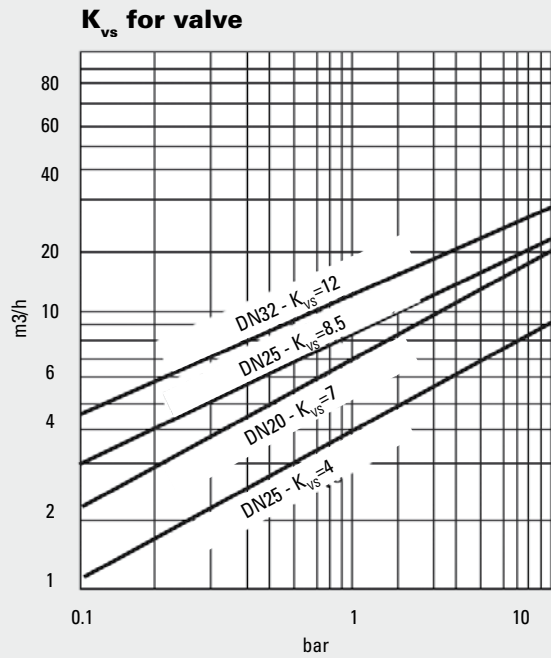
Max. operating temperature	110°C
Max. operating pressure	6 bar
Torque	0.5 Nm
Max. difference pressure	0.4 bar

3-WAY DIVERTER VALVE FOR HEATING AND SOLAR

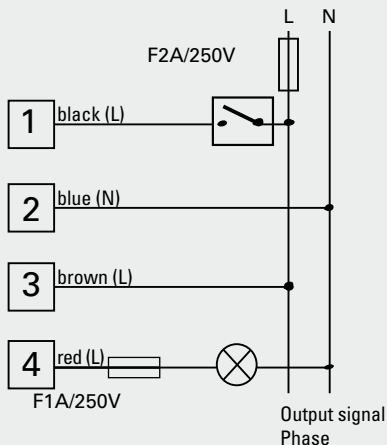


Dimensions

Item	DN	A	B	C	D	E	Kvs	Weight
3WW 34	3/4"	20	3/4"	72	18.5	116	7	1.0
3WW 1	1"	25	1"	90	24	112	8.5	1.63
3WW 54	1 1/4"	32	1 1/4"	90	24	122	12	1.37



Connection diagram



SOLAR ACCESSORIES

3-WAY DIVERTER VALVE WITH MOTOR FOR LARGE SYSTEMS



Product description

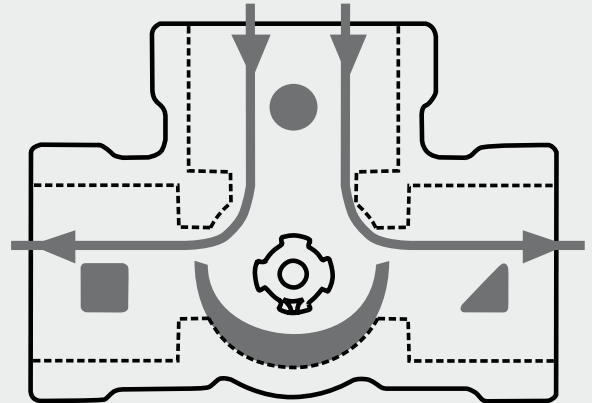
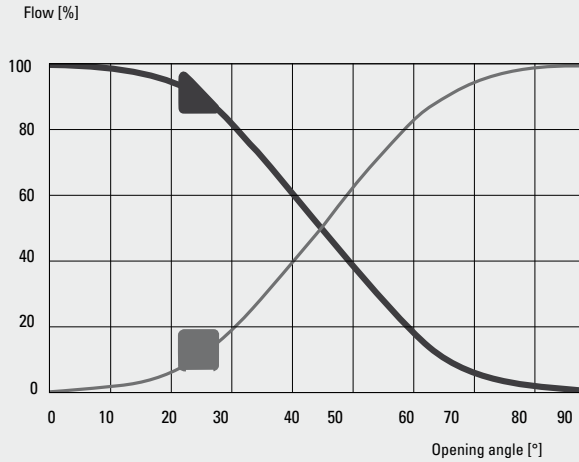
3-way diverter valve with 230 V electric motor drive is used in closed solar and heating circuits for hydraulic switching or locking. Actuator with 2-point activation. Suitable for heating and solar circuits as well as drinking water. The valve can also be installed mirrored. The flow path can be modified by changing the position of the pins for the direction of rotation of the motor on the circuit board by 90°.

Specifications

Type	3WW 64	3WW 2
Item no.	1510436	1510437
Specifications for drive		
Torque	6 Nm	
Rotating range:	90°	
Ambient temperature	max.+55°C	
	min. -5°C	
Protection class:	IP 41	
Protection class:	II	
Power supply:	230 +/- 10% VAC, 50 Hz	
Power consumption:	5 VA	
Manual mode:	Possible by means of extractable hand wheel	
Valve specifications:		
Pressure rating:	PN 10	
Continuous medium temperature:	+110°C	
Short-term medium temperature:	+130°C	
Torque at rated pressure	< 5Nm	
Leakage rate in % of flow	< 0.02%	
Max. operating pressure:	10 bar	
Max. differential pressure drop	2 bar	
Closing pressure:	2 bar	
Flow coefficient kv/kvmin, A-AB:	100	
Connections female:	1 1/2"	2"
KVS value in m ³ /h for 1 bar pressure drop:	25	40
Material		
Valve housing and gate:	Brass DZR, CW 602N	
Shaft and bearing bush:	PPS composite	
O-rings:	EPDM	

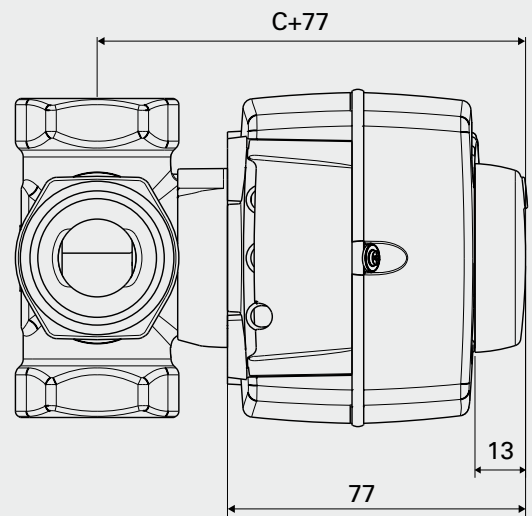
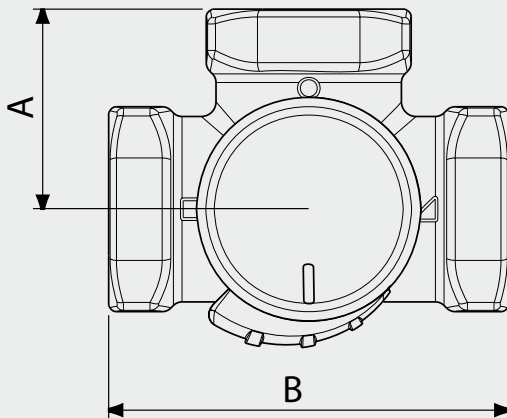
3-WAY DIVERTER VALVE WITH MOTOR FOR LARGE SYSTEMS

Characteristic valve curve:



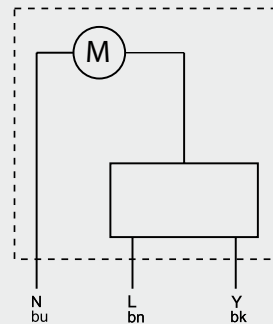
Dimensions

A	58 mm	62 mm
B	116 mm	125 mm
C	44 mm	44 mm
Weight	1.75 kg	2.05 kg



Connectivity

2-point control signal



Electronic wiring

Cable	1.5 metre pre-fitted
Black	Y - control phase
Blue	N - neutral conductor
Brown	L - continuous phase