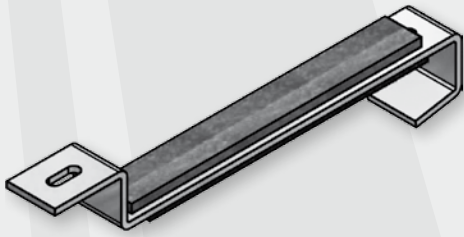


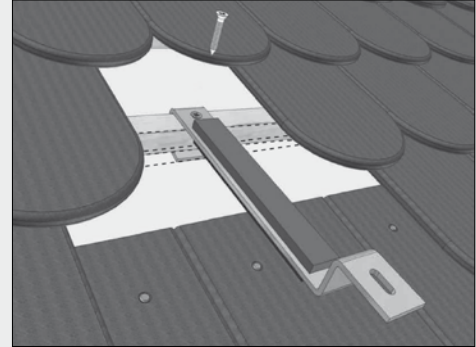
# COLLECTOR PFM + PFM-G

## PLAIN TILE HOOK FOR PLAIN TILED ROOF



### Description

Only for parallel installation on plain tiled roofs (generally steep roofs with a pitch of over 30°), the hooked ends are hung over the roof battens and screwed in place, an upright collector is not possible here.



### Specifications

No.	Designation	Material
1	Plain tile hook	Stainless steel 1.4301
2	Plain tile foam, upper side	Anthracite foam
3	Plain tile foam, underside	Rubber
	Screws	Stainless steel 6 x 40

Maximum load-bearing capacity (only on substrate of sufficient strength)	≤ 30° roof pitch		> 30°–45° roof pitch
	Loading	Pressure	75 kg/roof hook
	Tension	25 kg/roof hook	25 kg/roof hook

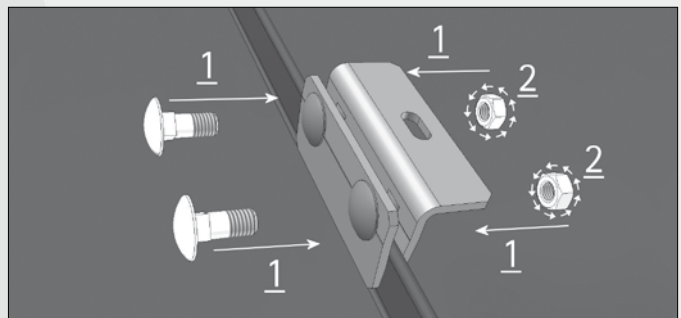
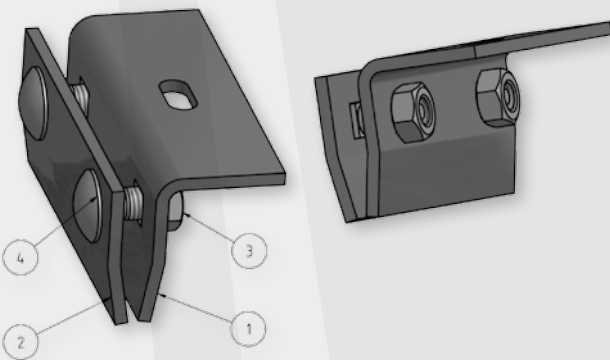
## JOINT CLAMP FOR JOINT TIN ROOF

### Description

Only for parallel installation on folded-seam tin roofs with galvanised or coated sheet steel, or copper.

### Caution

- Not recommended for titanium-zinc sheet due to danger of cracks at low temperatures
- Any stainless steel screws used may not be reused after they have been undone (danger of breakage).
- Joint clamp at least 30 mm high.



### Specifications

Dimensions		Length 100 mm / Height 48 mm / Width 40 mm / Thickness 4 mm
No.	Designation	Material
1	Joint clamp part 1	Stainless steel 1.4301
2	Joint clamp part 2	Stainless steel 1.4301
3	Hexagon nut M10-8 DIN 934	Galvanised steel and zinc flake coated, Geomet 500
4	Mushroom head square neck bolt M10x25-8.8 DIN 603	Galvanised steel and zinc flake coated, Geomet 500

Maximum load-bearing capacity (only on substrate of sufficient strength)	≤ 30° roof pitch		> 30°–45° roof pitch
	Loading	Pressure	200 kg / joint clamp
	Tension	40 kg / joint clamp	40 kg / joint clamp