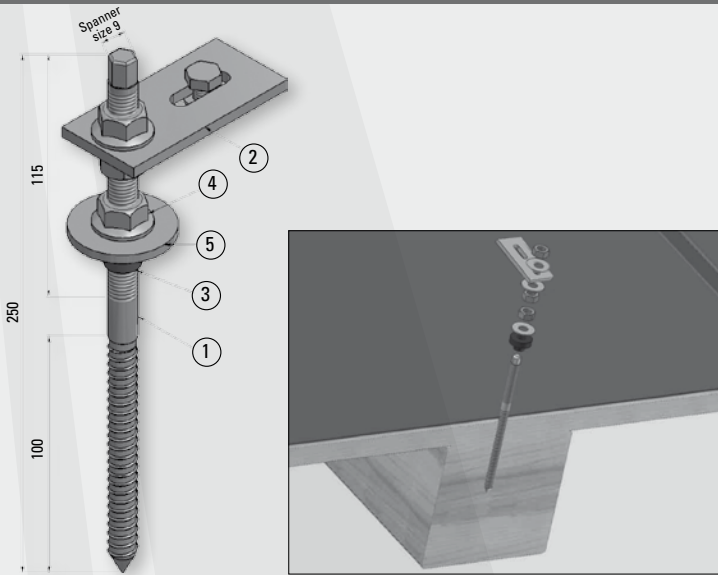


# COLLECTOR PFM + PFM-G

## UNIVERSAL MOUNTING HANGER BOLT



### Description

Universal mounting for parallel and freestanding installation on various roof types and for freestanding installation on sufficiently anchored frames.

### Caution

- The hanger bolt must be screwed into a member capable of bearing the required static load (generally rafters).
- The anchor plug is not part of the delivery.
- The wood screw cannot be screwed into extraction-proof metal plugs.
- Observe the linear expansion in sheet metal lengths (each hanger bolt is a fixed point in the sheet metal that prevents a linear expansion and can cause lifting of the sheet)

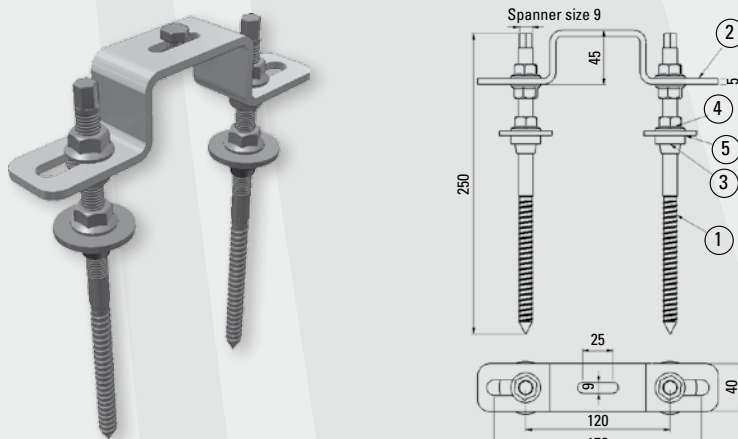
### Specifications

No.	Designation	Material
1	M12x250 hanger bolt	A2 stainless steel
2	Hanger bolt plate	Stainless steel 1.4301
3	Hanger bolt seal	EPDM
4	M12 flanged hexagon nuts	A2 stainless steel
5	M12 washer	A2 stainless steel

Maximum load-bearing capacity (only on substrate of sufficient strength)		≤ 30° roof pitch	> 30°–45° roof pitch
Loading	Pressure	100 kg / hanger bolt	75 kg / hanger bolt
	Tension	75 kg / hanger bolt	75 kg / hanger bolt

## UNIVERSAL FASTENING DUO HANGER BOLT



### Specifications

No.	Designation	Material
1	M12x250 hanger bolt	A2 stainless steel
2	Intermediate plate for duo hanger bolts	Stainless steel 1.4301
3	Hanger bolt seal	EPDM
4	M12 flanged hexagon nuts	A2 stainless steel
5	M12 washer	A2 stainless steel

Maximum load-bearing capacity (only on substrate of sufficient strength)		≤ 30° roof pitch	> 30°–45° roof pitch
Loading	Pressure	200 kg / Duo hanger bolt	150 kg / Duo hanger bolt
	Tension	150 kg / Duo hanger bolt	150 kg / Duo hanger bolt

### Description

Universal mounting for parallel and free-standing installation on various roof types and for freestanding installation on sufficiently anchored frames. Two hanger bolts are to be installed on the roof as vertically as possible with a spacing of 120 to 172 mm. The two are connected by an intermediate plate.

### Caution

- The hanger bolt must be screwed into a member capable of bearing the required static load (generally rafters).
- The anchor plug is not part of the delivery.
- The wood screw cannot be screwed into extraction-proof metal plugs.
- The roofing must be capable of withstanding the pressure needed to compress the seal.
- Observe the linear expansion in sheet metal lengths (each hanger bolt is a fixed point in the sheet metal that prevents a linear expansion and can cause lifting of the sheet).