

COLLECTOR PFM + PFM-G

| | | | |
|--|------------------|----------------------|----------------|
| Maximum load-bearing capacity (only on substrate of sufficient strength) | ≤ 30° roof pitch | > 30°–45° roof pitch | |
| | Pressure | 200 kg/console | 100 kg/console |
| Loading | Tension | 50 kg/console | 50 kg/console |

A diagram of the substrate and how it is laid is an absolute requirement

Spacings of the outermost screwing points to the ridge, gable board or eaves are to be given!

Caution: It is only possible to produce brackets if the data sheet is completed in full.

Project:

Customer: _____ Snow load ____ kN/m²
 Order: _____
 Location: _____
 Roof pitch: ____ °

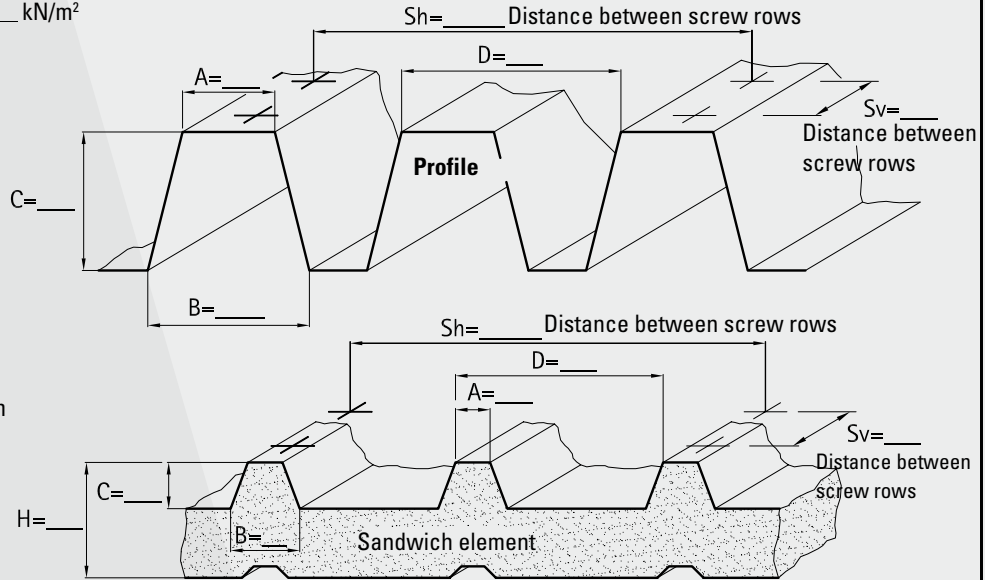
Roofing:

Manufacturer: _____
 Type: _____

- Profiled sheet metal
- Sandwich element
- Other Shape

Frame:

- Steel**
 - Wall thickness 2-6 mm
 - Wall thickness 6-12 mm
- Wood**
 Batten cross-section _____
- parallel
- transverse
- diagonal



Date: _____ Signature: _____

Tel.: + 43 5333 201-0
 E-mail: office@tisun.com

Last change:
 SG, 16/10/07, no. of brackets, horiz. dimension added
 Path: G:/PRJ/TECHNIK/Kollektor/FA/FA - Befestigungen/Trapezblech
 Dr. no.: Profiled sheet metal - Data sheet

Variant
B

Number of brackets required
 (to be completed by TiSun engineering!)

Support brackets: _____ Intermediate brackets _____

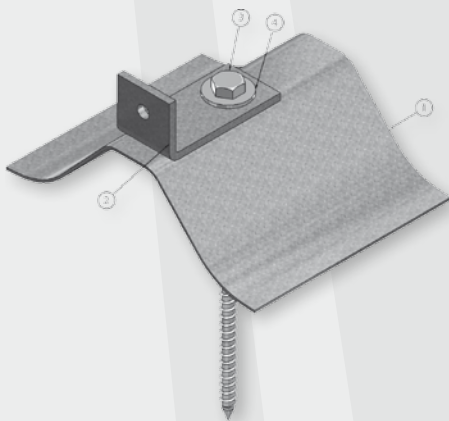
Signed: Wi
 Custom:
 Order:

Designation:

Data sheet for profiled and corrugated sheet metal roof

Scale:
 not to scale

CORRUGATED CEMENT ASBESTOS CALOTTE (FOR 5 OR 8 CORRUGATIONS)



Description

For parallel and freestanding installation on corrugated cement asbestos roofs.

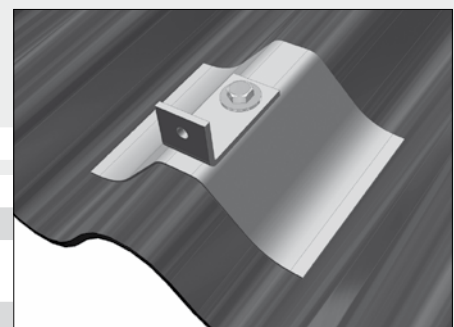
The calotte is screwed to the load-bearing wooden frame using the mounting screws and then sealed with sealant. The parallel sections are then screwed to the angle bracket that has been bolted to the console.

Caution

- Various sizes: Profile 5 → 5 corrugations per metre; profile 8 → 8 corrugations per metre
- The sealant required is supplied with the brackets.
- The frame screws must be screwed into a member capable of bearing the required static load (generally rafters). Longer frame screws are necessary if the roof construction is higher (e.g. roof insulation).
- The data sheet has to be filled out completely.

Specifications

| No. | Designation | Material |
|-----|--|--------------------------|
| 1 | Calotte | Hot-dip galvanised steel |
| 2 | Angle bracket for calotte | Hot-dip galvanised steel |
| 3 | Ø10 x 240 hexagon head wood screw (standard) | Galvanised steel |
| 4 | Ø10 washer | Galvanised steel |

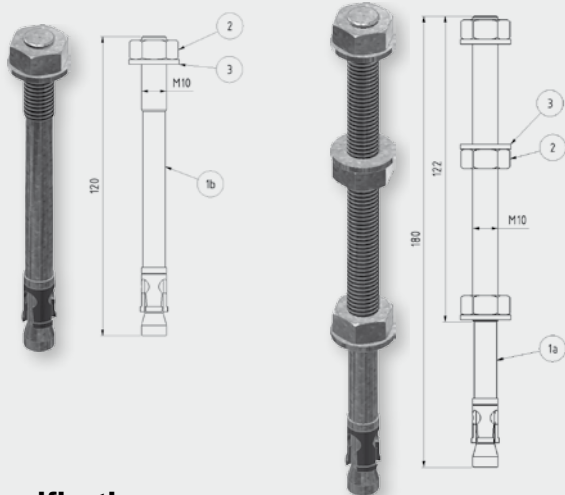


| | | | |
|---|-----------------|-------------------------|--------------------------------|
| Maximum load-bearing capacity (only on substrate of sufficient strength) | | ≤ 30° roof pitch | > 30°–45° roof pitch |
| Loading | Pressure | 200 kg/console | 100 kg/console |
| | Tension | 50 kg/console | 50 kg/console |

Installation with cross member:
Access must be possible from the roofspace.

| | | | | | | |
|---------------------|--|---|--|--|--|---------------------|
| Signed: HG 23/03/06 | | Tel.: + 43 5333 201-0 | | Last change: AR_05/10/07 | | Variant A |
| Customer: | | E-mail: office@tisun.com | | Path: G:\PRJ\TECHNIK\Kollektor\FA\FA - Befestigungen/Trapezblech | | |
| Order: | | Name: Data sheet for corrugated cement asbestos roof | | | | Scale: not to scale |

ANCHOR BOLT FOR CONCRETE (WITH OR WITHOUT HEIGHT COMPENSATION)



Description

For freestanding installation on concrete. The anchor bolt is inserted at least 58 mm into the Ø 10 mm hole pre-drilled in the concrete. The aluminium profile with a Ø 10.5 mm clearance hole is threaded over the bolt and fixed with a washer and nut.

Caution

- Various sizes: 120 mm in length, no height adjustment; 180 mm in length, up to 70 mm height adjustment.
- The anchor bolt may have a maximum angular deviation from the vertical of 5°.

Specifications

| No. | Designation | Material |
|-----|-------------------------|---|
| 1a | 180 mm long anchor bolt | Galvanised steel or stainless steel (European Technical Approval ETA-05/0018) |
| 1b | 120 mm long anchor bolt | Galvanised steel or stainless steel (European Technical Approval ETA-05/0018) |
| 3 | M10 DIN934 hexagon nut | Galvanised steel or stainless steel |
| 4 | M10 DIN125 washer | Galvanised steel or stainless steel |

| | | |
|---|-----------------|----------------------|
| Maximum load-bearing capacity (only on substrate of sufficient strength) | | ≤ 5° pitch |
| Loading | Pressure | 250 kg / anchor bolt |
| | Tension | 200 kg / anchor bolt |