

COLLECTOR PFM + PFM-G

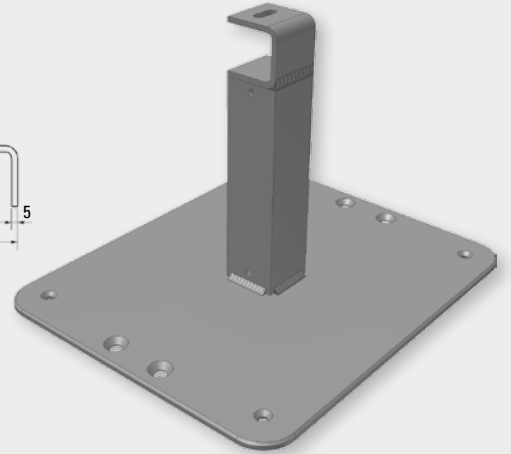
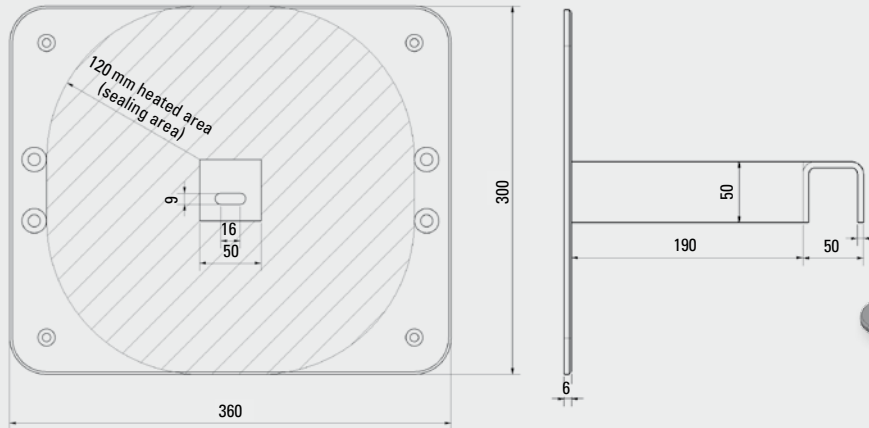
BITUMEN FLANGE PLATE FOR BITUMEN ROOF (HEIGHT 240 MM)

Description

For freestanding installation on bitumen and elastomer roofs; also suitable for flat roofs.

Caution

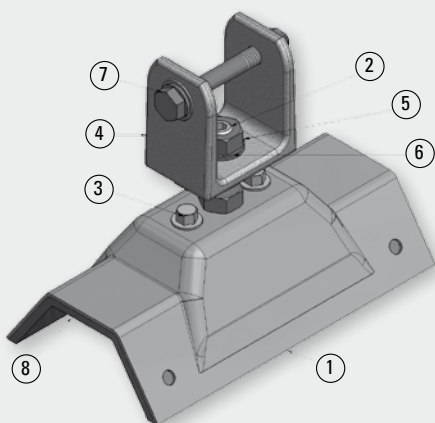
- The plates must be screwed into a member capable of bearing the required static load (generally rafters or concrete).
- Once installed, the plates have to be sealed to the roof sheet material (at least 120 mm). Only then can the collector be installed.



Specifications

Qty.	Designation	Material	Qty.	Designation	Material
1	Flange plate H = 240	hot-dip galvanised steel	1	Hexagon head bolt DIN 933 M8x25	Niro A2
4	10 x 100 mm / TX-40 screws	Galvanised steel	1	DIN 934 M8 hexagon nut	Niro A2
4	6 x 40mm / TX-25 screws	Galvanised steel	1	DIN 125A M8 washer	Niro A2
Maximum load-bearing capacity (only on substrate of sufficient strength)			≤ 10° pitch		
Loading		Pressure	200 kg/flange plate		
		Tension	100 kg/flange plate		

PROFILED SHEET METAL BRACKET FOR PROFILED SHEET METAL OR CORRUGATED SHEET METAL



Description

For parallel and freestanding installation on profiled or corrugated sheet metal. The console is installed above the mounting screws of the profiled or corrugated sheet metal. The two sealing screws are first screwed in and the stud is then screwed directly onto the underlying mounting screw of the sheet. The sealing is done before the console is installed using the sealing pads supplied. The sections are fixed to the section connectors on the console.

Caution

- The console must be ordered to fit the relevant profiled or corrugated sheet metal.
- The mounting screws supplied with the console must be appropriate in type and length for the particular roof construction.
- The data sheet has to be filled out completely.

Specifications

No.	Designation	Material
1	Console	Stainless steel 1.4301
2	M10x70 threaded stud	A2 stainless steel
3	Screws according to substrate	A2 stainless steel
4	Profile joiner	Aluminium
5	M10 hexagon nut	A2 stainless steel
6	M10 washer	A2 stainless steel
7	M8x65 hexagon head bolt	A2 stainless steel
8	Sealing pad	EPDM

