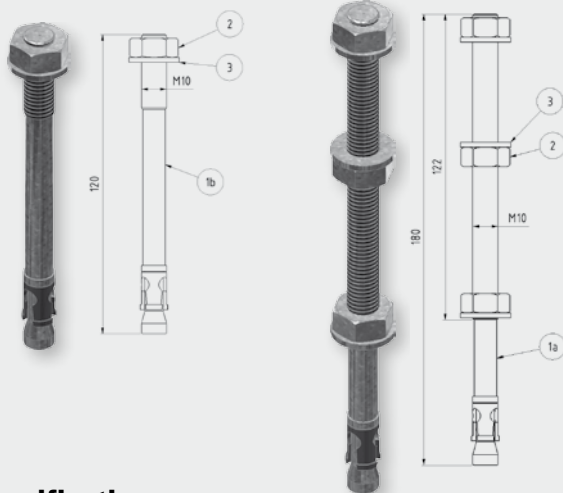


Maximum load-bearing capacity (only on substrate of sufficient strength)		≤ 30° roof pitch	> 30°–45° roof pitch
Loading	Pressure	200 kg/console	100 kg/console
	Tension	50 kg/console	50 kg/console

Installation with cross member:
Access must be possible from the roofspace.

Signed: HG 23/03/06		Tel.: + 43 5333 201-0		Last change: AR_05/10/07		Variant A
Customer:		E-mail: office@tisun.com		Path: G:\PRJ\TECHNIK\Kollektor\FA\FA - Befestigungen/Trapezblech		
Order:		Name: Data sheet for corrugated cement asbestos roof				Scale: not to scale

ANCHOR BOLT FOR CONCRETE (WITH OR WITHOUT HEIGHT COMPENSATION)



Description

For freestanding installation on concrete. The anchor bolt is inserted at least 58 mm into the Ø 10 mm hole pre-drilled in the concrete. The aluminium profile with a Ø 10.5 mm clearance hole is threaded over the bolt and fixed with a washer and nut.

Caution

- Various sizes: 120 mm in length, no height adjustment; 180 mm in length, up to 70 mm height adjustment.
- The anchor bolt may have a maximum angular deviation from the vertical of 5°.

Specifications

No.	Designation	Material
1a	180 mm long anchor bolt	Galvanised steel or stainless steel (European Technical Approval ETA-05/0018)
1b	120 mm long anchor bolt	Galvanised steel or stainless steel (European Technical Approval ETA-05/0018)
3	M10 DIN934 hexagon nut	Galvanised steel or stainless steel
4	M10 DIN125 washer	Galvanised steel or stainless steel

Maximum load-bearing capacity (only on substrate of sufficient strength)		≤ 5° pitch
Loading	Pressure	250 kg / anchor bolt
	Tension	200 kg / anchor bolt